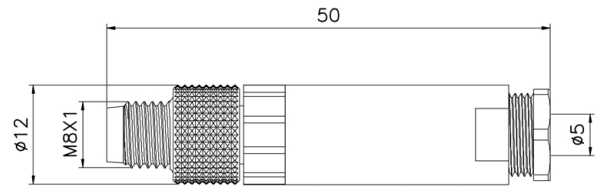
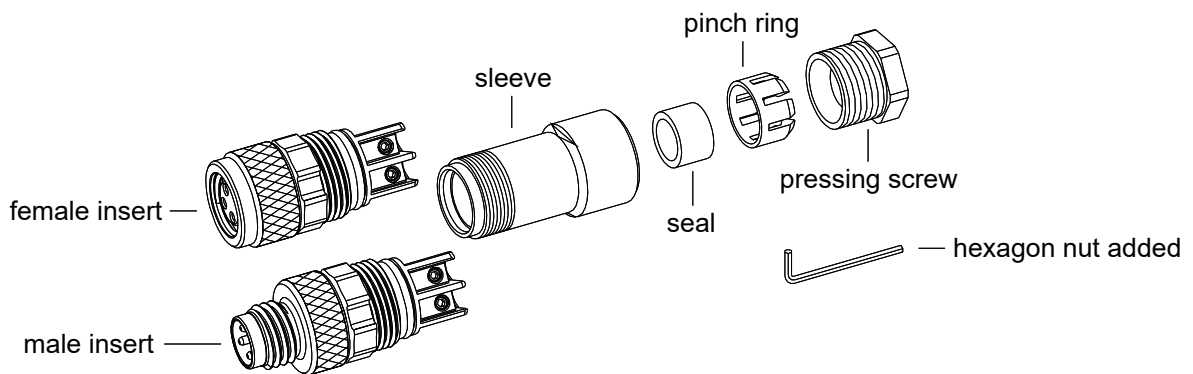


- M8 male assembly connector ,straight
- Description:M8 male straight plastic screw assembly connector ,A/B/D coded.



### Assembly Instruction



### Technical Data

Pin No.	3	4	4	5	6	8
Coding	A	A	D	B	A	A
Pin for reference						
Type	Assembly					
Rated current	3A	3A	4A	3A	1.5A	1.5A
Rated voltage	60V	60V	60V	30V	30V	30V
Operating Temperature	-25℃~85℃					
Degree of protection	IP67/IP68					
Connector locking system	Screw					
Mechanical operation	>500 mating cycles					
Contact resistance	≤10mΩ					
Material of connector	CuZn,TPU					
Contact plating	Au(gold plating)					
Outlet	Suitable OD 3-6mm cable					

### Order Information

■ Part No. M8- <input type="text"/> -MS- <input type="text"/>                                      Coded                              Pin No.	■ Model No. RG082000
--------------------------------------------------------------------------------------------------------------------------------------------------------	-------------------------

Remark:Contact us any time if you have custom requirements.